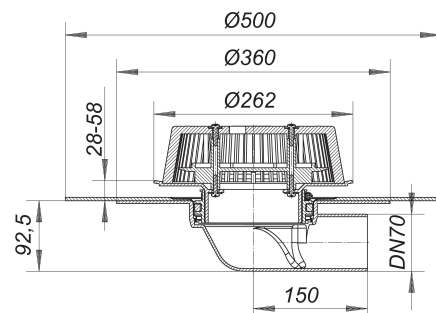


power overflow drain 86 D DallBit, DN 70

Part number: 671363
 GTIN: 4001636671363
 Rebate group: 10



Description:

power overflow drain 86 D DallBit, DN 70

conforming to DIN EN 1253

flat overflow drain for use in roofs with minimum 120 mm insulation, drain body with factory-fitted collar of 5.0 mm modified bitumen membrane, d: 500 mm, welded to the flange and clamped with a stainless steel clamp ring

specification:

- overflow upstand height adjustable 28 - 58 mm
- domed grate, secured
- temporary blanking plate

material:

polypropylene, UV-stabilized

Flow rates tested to DIN EN 1253:

Nominal diameter	Outlet direction	Min. flow rate according to norm	Water level according to norm	Flow rate at water level 5 mm	Flow rate at water level 15 mm	Flow rate at water level 25 mm	Flow rate at water level 35 mm	Flow rate at water level 45 mm	Flow rate at water level 55 mm	Flow rate at water level 65 mm
DN 70	seitlich	1.70 l/s	35.00 mm	1.00 l/s	3.80 l/s	3.90 l/s	4.10 l/s	4.20 l/s	4.30 l/s	4.50 l/s
DN 70	seitlich	1.70 l/s	35.00 mm	0.70 l/s	3.20 l/s	7.30 l/s	12.00 l/s	15.60 l/s	16.00 l/s	16.00 l/s
DN 70	seitlich	12.00 l/s	55.00 mm	0.70 l/s	3.80 l/s	7.50 l/s	12.10 l/s	17.70 l/s	17.90 l/s	17.90 l/s

Spare parts: