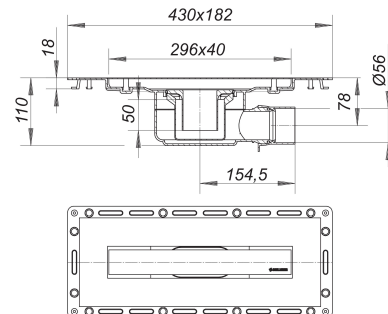


linear drain TistoLine Standard 300, BS 2", 300 mm

Part number: 530219

GTIN: 4001636530219

Rebate group: 5



Description:

linear drain TistoLine Standard 300, BS 2", 300 mm

outlet horizontal, ball-joint adjustable 0 – 15 degrees, DN 50, BS 2" sw socket or HDPE 56 mm

specification

- waterproofing flange with fleece surface
- Tisto-membrane
- temporary blanking plate
- trap insert easily removable for cleaning, 50 mm water seal (conforming to DIN EN 1253)
- height adjustable pedestals to level cover with mosaic, tile, stone etc.
- tile trim jig

material

drain body polypropylene

cover plate 304 stainless steel, 300 x 40 mm, load class K 3 (300 kg), for flooring 2 – 12 mm (incl. adhesiv)

Also available with recessed cover and with connectors to suit PVC and HDPE pipe.