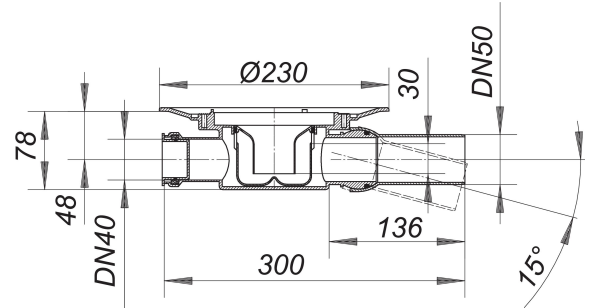


Floor drain body type 42 S, inlet DN 40, DN 50

Part number: 420022
 GTIN: 4001636420022
 Rebate group: 3



Description:

Floor drain body type 42 S, inlet DN 40, DN 50
 outlet horizontal, ball-joint adjustable 0 – 15 degrees, DN 50, BS 2" sw socket or HDPE 56 mm

specification

- removable trap insert, 30 mm water seal (deviating to DIN EN 1253)
- temporary blanking plate

material

polypropylene
 with DN 40 side inlet

The outlet connector can be supplied in ABS to suit British Standard sizes and PE-HD conforming to DIN EN 1519. Please enquire.

Flow rates tested to DIN EN 1253:

Nominal diameter	Product standard	Min. flow rate according to norm	Water level according to norm
DN 50	DIN EN 1253	0.80 l/s	20.00 mm