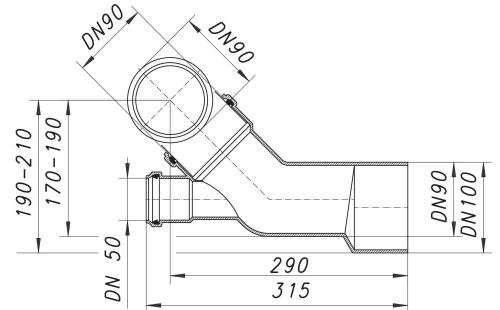


WC connector type 89 wall, DN 90/DN 50/DN 100

Part number: 330147
GTIN: 4001636330147
Rebate group: 2



Description:

WC connector type 89 wall, DN 90/DN 50/DN 100
for back to wall DN 90 WCs, height and length adjustable

specification:

- lip seal
 - blanking plugs
 - side inlet DN 50
- PE-HD, weldable