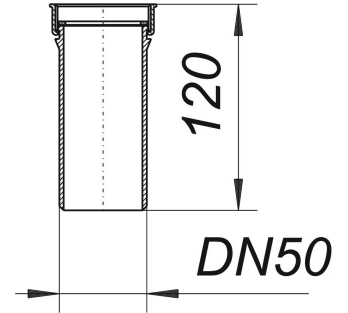

inlet tube type 010/0 120 mm, 2" x DN 50

Part number: 060426
GTIN: 4001636060426
Rebate group: 1



Description:

inlet tube type 010/0 120 mm, 2" x DN 50

specification:

- back nut and flat seal (non-asbestos)

material:

polypropylene