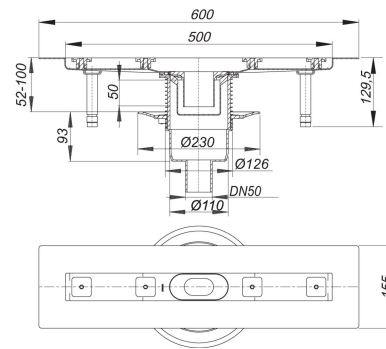
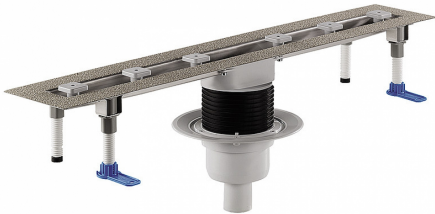


21. November 2019

DALLMER

shower channel CeraLine vertical F 500 mm, DN 50

Product No. **521606**
EAN: 4001636521606
Discount group: 8



conforming to DIN EN 1253
Linear drainage, with one drain body, outlet DN 50 vertical

specification:

- sound absorbing height adjustable levelling legs
- integral sand coated flange for secure bonding of under-tile waterproofing
- removable trap insert, 50 mm water seal
- height adjustable screws
- temporary blanking plate
- tiling gauges
- edge trim jigs

material:

channel 304 stainless steel, trap polypropylene

Options for CeraLine vertical F:

- Any made-to-measure length up to 1200 mm
 - From 900 – 1200 mm, two traps can be also be fitted for 1.4 l/sec flow rate
- Please enquire!

Fire protection system 2 (Part No. 515025) applicable.

The outlet connector can be supplied in ABS to suit British Standard sizes and PE-HD conforming to DIN EN 1519. Please enquire.

21. November 2019

shower channel CeraLine vertical F 500 mm, DN 50

Flow rate tested to DIN EN 1253
(with 20 mm water over grate)

	Norm	DALLMER
DN 50	0.8 l/s	0.8 l/s

Product No.	Description	Dimensions
527264	cover plate CeraLine red gold matt, 500 mm	500 mm

Product No.	Description	Dimensions
521019	adjustable pedestals built until July 2013	
527097	cover plate CeraLine anthracite matt, 500 mm	500 mm
527349	cover plate CeraLine brass matt, 500 mm	500 mm
520616	cover plate CeraLine Design brushed finish, 500 mm	500 mm
523815	cover plate CeraLine Design stainless steel matt black, 500 mm	500 mm
523716	cover plate CeraLine Design stainless steel polished, 500 mm	500 mm
523419	cover plate CeraLine Glass black, 500 mm	500 mm
523211	cover plate CeraLine Glass green, 500 mm	500 mm
523518	cover plate CeraLine Glass white, 500 mm	500 mm
520715	cover plate CeraLine Individual, 500 mm	500 mm
520517	cover plate CeraLine Standard, 500 mm	500 mm
523617	cover plate CeraLine Teak, 500 mm	500 mm
515025	fire and sound-insulating collar - installation kit 2, DN 50	DN 50
521033	levelling kit	
521088	Service device CeraLine	
520494	stainless steel polish	
520845	trap insert CeraLine as of 2009	