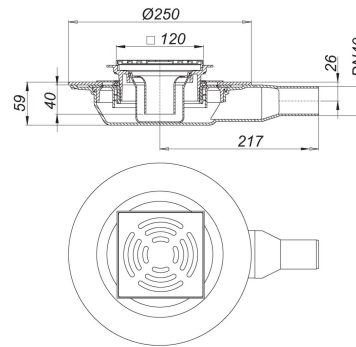


21. November 2019

**DALLMER****floor drain CIRCOPlan 40.1, DN 40, 120 x 120 mm**

Product No. **513816**  
 EAN: 4001636513816  
 Discount group: 5



conforming to DIN EN 1253 (approval)  
 only for use with CeraBoard shower underlays  
 outlet DN 40 horizontal

specification:

- lateral adjustable inner casing (+/- 15 mm) for connecting CeraBoard
- removable trap insert, 40 mm water seal
- temporary blanking plate and assembly key

material:

polypropylene,  
 grate 304 stainless steel, load class K 3 (300 kg)

frame ABS, 120 x 120 mm

Flow rate tested to DIN EN 1253 Tab. 3,  
 (with 20 mm water over cover plate), conforming to DIN EN 274

	Norm	DALLMER
DN 40	0.4 l/s	0.5 l/s

Product No.	Description	Dimensions
513724	shower underlay CeraBoard corner, 40 x 1000 x 1000 mm	1000 x 1000 mm
513717	shower underlay CeraBoard corner, 40 x 900 x 900 mm	900 x 900 mm
513700	shower underlay CeraBoard off-set 350 x 350 mm, 40 x 1800 x 900 mm	1800 x 900 mm

21. November 2019

**DALLMER**

---

513663	shower underlay CeraBoard off-set, 40 x 1000 x 1000 mm	1000 x 1000 mm
513670	shower underlay CeraBoard off-set, 40 x 1200 x 1200 mm	1200 x 1200 mm
513687	shower underlay CeraBoard off-set, 40 x 1500 x 1500 mm	1500 x 1500 mm
513656	shower underlay CeraBoard off-set, 40 x 900 x 900 mm	900 x 900 mm
513731	shower underlay CeraBoard pentagon, 40 x 1200 x 1200 mm	1200 x 1200 mm
513625	shower underlay CeraBoard, 40 x 1000 x 1000 mm	1000 x 1000 mm
513632	shower underlay CeraBoard, 40 x 1200 x 1200 mm	1200 x 1200 mm
513649	shower underlay CeraBoard, 40 x 1500 x 1500 mm	1500 x 1500 mm
513618	shower underlay CeraBoard, 40 x 900 x 1200 mm	900 x 1200 mm
513601	shower underlay CeraBoard, 40 x 900 x 900 mm	900 x 900 mm