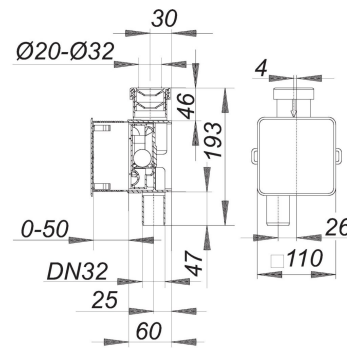


20. October 2019

DALLMER**built-in condensate trap 138, DN 32**

Product No. **026200**
 EAN: 4001636026200
 Discount group: 1



for use with air-conditioners, heating equipment, etc.
 The floating ball keeps the trap seal intact!

specification:

- housing
- inspection cover

material:

polypropylene/ABS

Product No.	Description	Dimensions
026101	condensate trap insert 138 K	