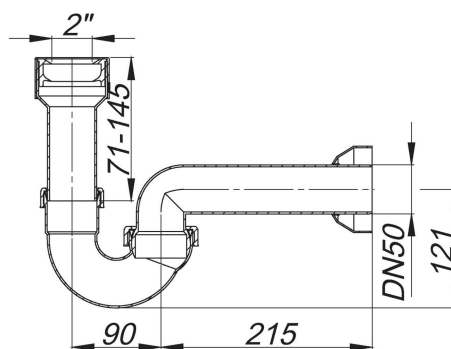


## urinal trap 119, DN 50

Product No. **030924**  
EAN: 4001636030924  
Discount group: 1



### specification:

- height adjustable socket
- concealed 2" lip seal for urinal spigot
- ball joint adjustable outlet DN 50
- escutcheon

### material:

white polypropylene