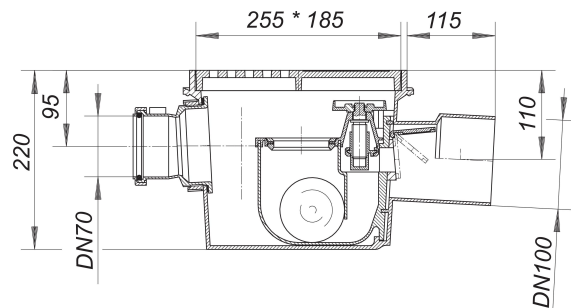


anti-flooding drain Ballstau 110/3, DN 100

Part number: 720368
 GTIN: 4001636720368
 Rebate group: 3



Description:

anti-flooding drain Ballstau 110/3, DN 100
 for EN 13564 type 5, operation conforms to DIN 1986-100:2002-03 for use with grey waste water
 outlet DN 100 horizontal (3 degrees fall)

specification:

- automatic rising ball
- flap-valve on outlet
- manual lock
- replaceable rising ball assembly
- test-port

material:

body ABS
 grate ABS, 2-piece, load class K 3 (300 kg)
 with DN 70 side inlet and two DN 70 bosses for alternative side inlet location

Flow rates tested to DIN EN 1253:

Nominal diameter	Product standard	Min. flow rate according to norm	Water level according to norm
DN 100	DIN EN 1253	1.40 l/s	20.00 mm

Spare parts:

724816 bucket for Ballstau 110

724878 ball 240 for Ballstau 110

724892 back flow seal for Ballstau 110

724922 grate for Ballstau 110, grey, 250 x 180