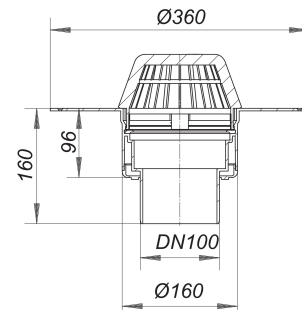


roof drain type 62 PVC, DN 100

Part number: 623065
 GTIN: 4001636623065
 Rebate group: 10



Description:

roof drain type 62 PVC, DN 100
 conforming to DIN EN 1253
 one-piece drain, moulded in PVC, PVC membranes can be welded to the flange

specification:

- insulated drain body
- outlet vertical
- domed grate

material:

PVC

Flow rates tested to DIN EN 1253:

Nominal diameter	Outlet direction	Min. flow rate according to norm	Water level according to norm	Flow rate at water level 5 mm	Flow rate at water level 15 mm	Flow rate at water level 25 mm	Flow rate at water level 35 mm	Flow rate at water level 45 mm	Flow rate at water level 55 mm	Flow rate at water level 65 mm	Flow rate at water level 75 mm
DN 100	4.50 l/s	35.00 mm	0.65 l/s	2.50 l/s	5.00 l/s	7.85 l/s	11.45 l/s	15.20 l/s	19.20 l/s	23.60 l/s	
DN 100	4.50 l/s	35.00 mm	0.80 l/s	3.20 l/s	5.50 l/s	8.10 l/s	9.60 l/s	10.10 l/s	10.50 l/s		
DN 100	4.50 l/s	35.00 mm	0.90 l/s	3.80 l/s	6.40 l/s	9.10 l/s	12.20 l/s	15.80 l/s	20.10 l/s		