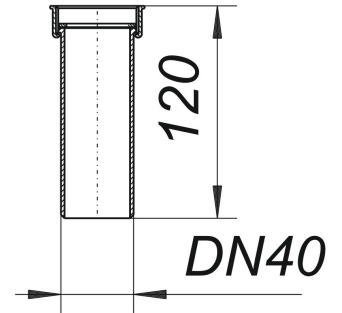

inlet tube type 010/0 120 mm, 1 1/2" x DN 40

Part number: 060211
GTIN: 4001636060211
Rebate group: 1



Description:

inlet tube type 010/0 120 mm, 1 1/2" x DN 40

specification:

- back nut and flat seal (non-asbestos)

material:

polypropylene